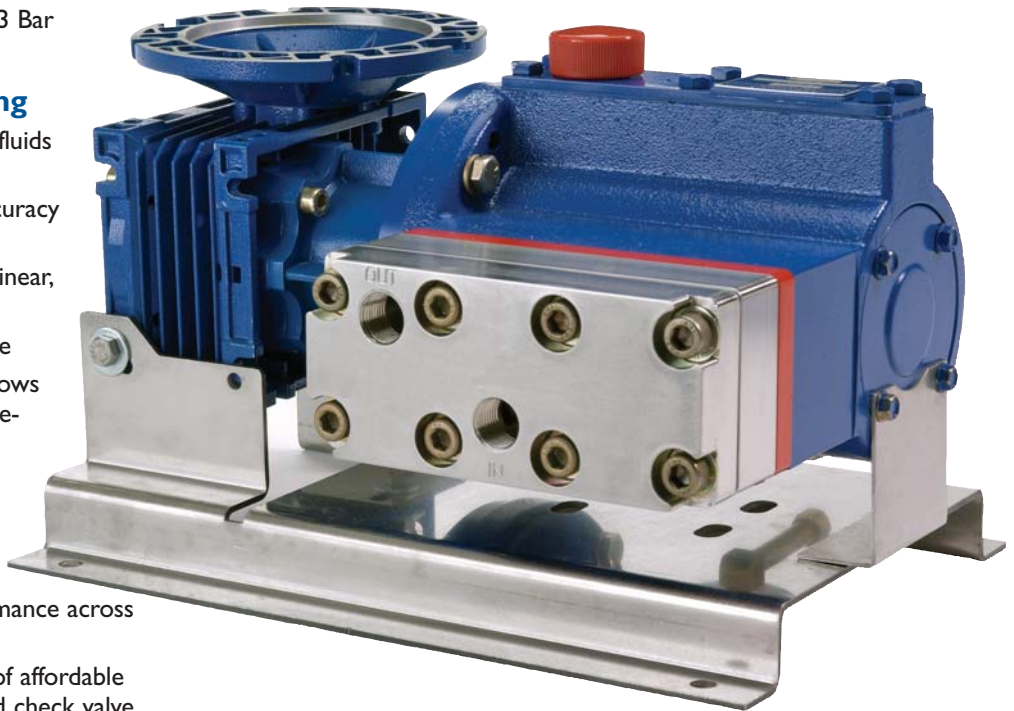


P300 Pump Series

Capacities to 242.1 LPH - Rated to 173 Bar

Electronic Precision Metering

- Designed to handle a wide range of fluids from clear water to thick slurries
- Electronic flow control increases accuracy and reliability
- Multiple diaphragm design provides linear, virtually pulse-less flow
- Smaller footprint saves valuable space
- One pump covers a wide range of flows and pressures - reducing inventory requirements with fast, simple field conversion
- Duplexing option doubles capacity and equipment savings
- Hydraulically-actuated, balanced diaphragms provide superior performance across entire pressure range
- Rugged construction with a variety of affordable choices for liquid end, diaphragm and check valve materials



Hydra-Cell Metering Solutions meet or exceed API 675 performance standards for Steady-State Accuracy ($\pm 1\%$), Linearity ($\pm 3\%$), and Repeatability ($\pm 3\%$).

Performance

LPH Maximum Flow at Designated Pressure

LPH Metallic Pump Heads Only				Pump RPM	Gear Ratio	Motor RPM
7 Bar	35 Bar	104 Bar	173 Bar			
6.05	5.52	4.24	3.02	14.5	100:1	1450
7.62	7.07	5.72	4.40	18.13	80:1	
10.24	9.65	8.18	6.71	24.17	60:1	
12.33	11.71	10.14	8.56	29	50:1	
15.46	14.80	13.09	11.33	36.25	40:1	
20.69	19.95	18.00	15.94	48.33	30:1	
24.88	24.07	21.94	19.63	58	25:1	
31.15	30.25	27.83	25.17	72.5	20:1	
41.61	40.55	37.66	34.41	96.67	15:1	
62.53	61.16	57.32	52.87	145	10:1	
83.44	81.76	76.97	71.33	193.33	7.5:1	
125.3	123.0	116.3	108.3	290	5:1	
161.3	158.5	150.2	140.1	373.3	7.5:1	
242.1	238.1	226.1	211.4	560	5:1	

Required Motor kW

0.18	0.37	0.55
0.75	1.1	1.5

P300 Pump Series

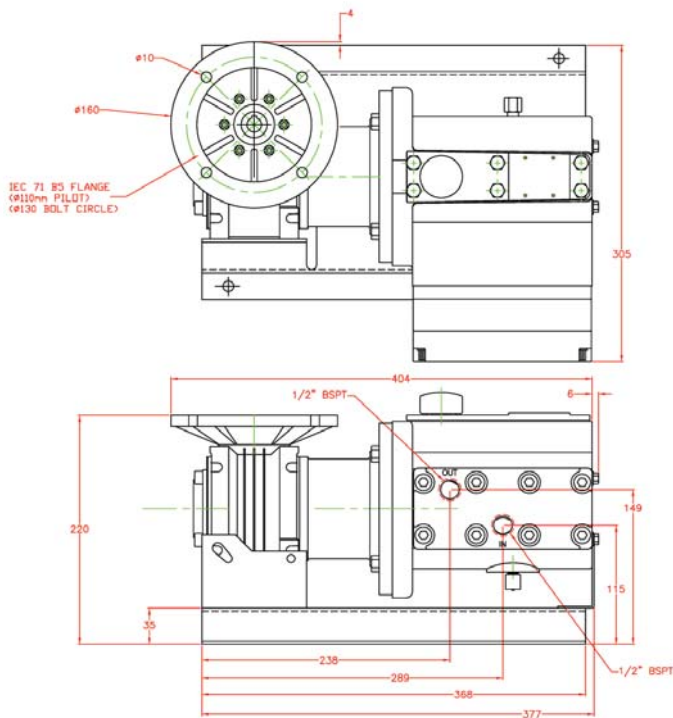
Pump Data

Diaphragms per Liquid End	3
Flow Control	Electronic variable speed drive
Maximum Discharge Pressure	
Metallic Head:	173 bar (2500 PSI)
Maximum Suction Pressure	35 bar (500 PSI)
Maximum Temperature	
Metallic Head:	121°C (250°F)*
Suction Port	1/2 inch BSPT or NPT
Discharge Port	1/2 inch BSPT or NPT
Weight (less motor)	
Metallic Head:	23.2 kg (51 lbs)
Dimensions (less motor)**	
Metallic Head:	407 mm W x 311 mm D x 244 mm H (16.02" W x 12.23" D x 9.60" H)

* Consult factory for correct component selection for fluid temperatures above 71°C (160°F).

** For 63 B5 motor frame only. Consult factory for other motor frame sizes.

Representative Dimensional Drawings (in mm)



Hydra-Cell Metering Solutions pump systems are available with back pressure and relief valves, calibration cylinders, pulsation dampeners, manifolds and flanges, suction accumulators, custom controllers, strainers, a variety of actuating oils, witnessed and non-witnessed testing, drawing packages, and OEM paint and nameplate customization.

Pump Ordering Information

A complete pump order number contains 13 digits based on the specified pump materials listed below. Contact your Hydra-Cell sales representative for accompanying motor drive options.

1	2	3	4	5	6	7	8	9	10	11	12	13
P	3	0	0									

Pump Model Size (Digits 1-4)

P300 For all P300 Pumps

Pump Version (Digit 5)

M BSPT Ports

N NPT Ports

Pump Head Material (Digit 6)

R 304 Stainless Steel

S 316 Stainless Steel

T Hastelloy®C

Diaphragm & O-ring Material (Digit 7)

G Viton®-XT

T Buna-N-XS

Check Valve Material (Digits 8-9)

(Valve Spring / Valve & Seat)

SS 316 SST / 316 SST

TT Hastelloy®C / Hastelloy®C

Gearbox Ratio (Digits 10-12)

100 100:1 (63 B5 Motor Frame)

080 80:1 (63 B5 Motor Frame)

060 60:1 (63 B5 Motor Frame)

050 50:1 (63 B5 Motor Frame)

040 40:1 (63 B5 Motor Frame)

A30 30:1 (71 B5 Motor Frame)

A25 25:1 (71 B5 Motor Frame)

A20 20:1 (71 B5 Motor Frame)

A15 15:1 (71 B5 Motor Frame)

A10 10:1 (71 B5 Motor Frame)

A07 7.5:1 (71 B5 Motor Frame)

B07 7.5:1 (80 B5 Motor Frame)

B05 5:1 (80 B5 Motor Frame)

C05 5:1 (90 B5 Motor Frame)

Base Plate (Digit 13)

C Carbon Steel (Epoxy painted)

S Stainless Steel

For information on the complete line of Hydra-Cell Metering Solutions pumps, contact us today.

Wanner International Ltd.

Units 8 & 9, Fleet Business Park
Sandy Lane
Church Crookham, Hampshire GU52 8BF, England
Tel: +(44) 01252 816847
FAX Tel: +(44) 01252 629242
Email: sales@wannerint.com
www.WannerInt.com

Printed in USA P300-DS-I-04.07

Wanner Pumps Ltd.

Room 1111, 11/F New Kowloon Plaza
38 Tai Kak Tsui Road
Tai Kak Tsui, Kowloon, HONG KONG
Tel: (852) 3428 6534
FAX Tel: (852) 3188 9145
Email: jlou@wannereng.com

Wanner Engineering, Inc.

1204 Chestnut Avenue
Minneapolis, MN 55403 USA
Tel: 612-332-5681
FAX Tel: 612-332-6937
Toll-Free Fax (USA): 800-332-6812
Email: sales@wannereng.com
www.Hydra-Cell.com/metering