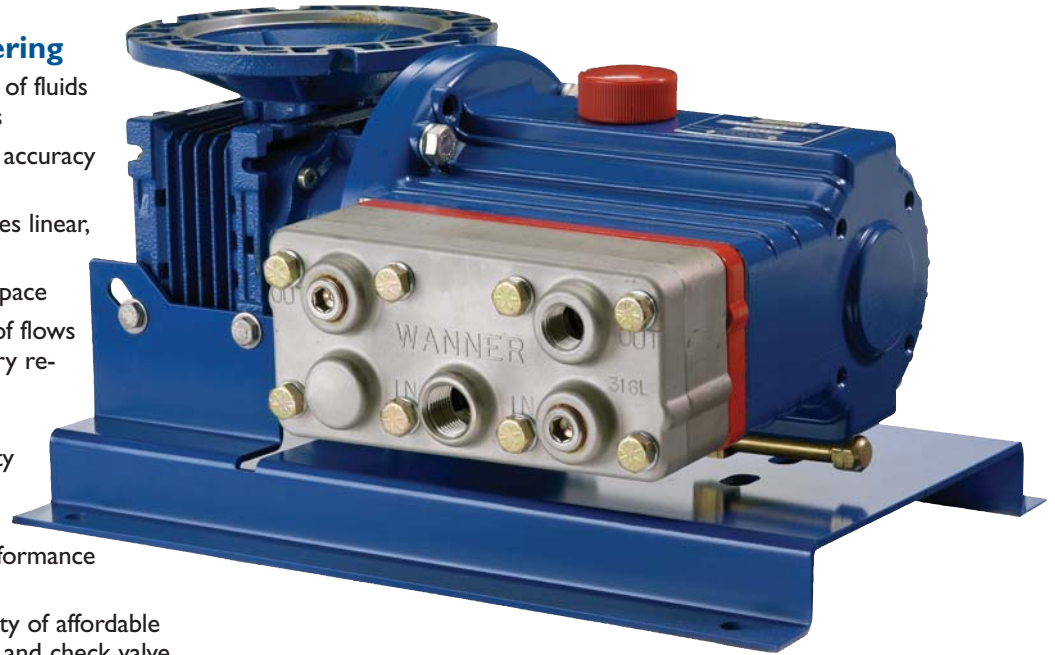


## P200 Pump Series

Capacities to 237.4 LPH - Rated to 70 Bar

### Electronic Precision Metering

- Designed to handle a wide range of fluids from clear water to thick slurries
- Electronic flow control increases accuracy and reliability
- Multiple diaphragm design provides linear, virtually pulse-less flow
- Smaller footprint saves valuable space
- One pump covers a wide range of flows and pressures - reducing inventory requirements with fast, simple field conversion
- Duplexing option doubles capacity and equipment savings
- Hydraulically-actuated, balanced diaphragms provide superior performance across entire pressure range
- Rugged construction with a variety of affordable choices for liquid end, diaphragm and check valve materials



Hydra-Cell Metering Solutions meet or exceed API 675 performance standards for Steady-State Accuracy ( $\pm 1\%$ ), Linearity ( $\pm 3\%$ ), and Repeatability ( $\pm 3\%$ ).

### Performance\*

LPH Maximum Flow at Designated Pressure

LPH All Pumps		LPH Metallic Pump Heads Only		Pump RPM	Gear Ratio	Motor RPM	
7 Bar	17 Bar	35 Bar	70 Bar				
4.95	4.57	3.84	2.00	14.5	100:1	1450	
6.49	6.11	5.36	3.46	18.13	80:1		
9.07	8.67	7.89	5.89	24.17	60:1		
11.12	10.72	9.91	7.83	29	50:1		
14.21	13.79	12.95	10.75	36.25	40:1		
19.36	18.92	18.01	15.61	48.33	30:1		
23.48	23.02	22.06	19.50	58	25:1		
29.66	29.17	28.14	25.33	72.5	20:1		
39.96	39.42	38.27	35.06	96.67	15:1		
60.55	59.92	58.52	54.50	145	10:1		
81.15	80.41	78.78	73.95	193.33	7.5:1		
122.3	121.4	119.3	112.9	290	5:1		
157.8	156.7	154.2	146.4	373.3	7.5:1		2800
237.4	235.9	232.4	221.5	560	5:1		

\* Capacity data is shown for pumps with elastomeric diaphragms. Consult factory for performance characteristics of pumps with PTFE diaphragms.

### Required Motor kW

0.18	0.37	0.55	0.75
------	------	------	------

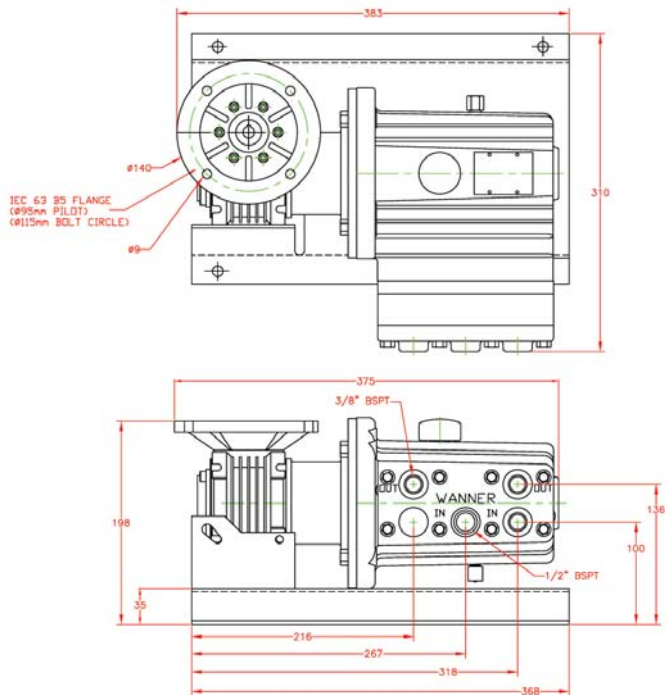
# P200 Pump Series

## Pump Data

Diaphragms per Liquid End	3
Flow Control	Electronic variable speed drive
Maximum Discharge Pressure	
Metallic Head:	70 bar (1000 PSI)
Non-Metallic Head:	Polypropylene- 17 bar (250 PSI) Kynar- 24 bar (350 PSI)
Maximum Suction Pressure	17 bar (250 PSI)
Maximum Temperature	
Metallic Head:	121 °C (250 °F)*
Non-Metallic Head:	60 °C (140 °F)
Suction Port	1/2 inch BSPT or NPT
Discharge Port	3/8 inch BSPT or NPT
Weight (less motor)	
Metallic Head:	17.7 kg (39 lbs)
Non-Metallic Head:	13.6 kg (30 lbs)
Dimensions (less motor)	
Metallic Head:	395 mm W x 311 mm D x 205 mm H (15.56" W x 12.23" D x 8.06" H)
Non-Metallic Head:	395 mm W x 320 mm D x 205 mm H (15.56" W x 12.61" D x 8.06" H)

\*Consult factory for correct component selection for fluid temperatures above 71 °C (160 °F).

## Representative Dimensional Drawings (in mm)



Hydra-Cell Metering Solutions pump systems are available with back pressure and relief valves, calibration cylinders, pulsation dampeners, manifolds and flanges, suction accumulators, custom controllers, strainers, a variety of actuating oils, witnessed and non-witnessed testing, drawing packages, and OEM paint and nameplate customization.

## Pump Ordering Information

A complete pump order number contains 13 digits based on the specified pump materials listed below. Contact your Hydra-Cell sales representative for accompanying motor drive options.

1	2	3	4	5	6	7	8	9	10	11	12	13
P	2	0	0									

### Pump Model Size (Digits 1-4)

**P200** For all P200 Pumps

### Pump Version (Digit 5)

**M** BSPT Ports

**N** NPT Ports

### Pump Head Material (Digit 6)

**M** Kynar®

**P** Polypropylene

**S** 316 Stainless Steel

**T** Hastelloy®C

### Diaphragm & O-ring Material (Digit 7)

**E** EPDM

**G** Viton®-XT

**J** PTFE

**P** Neoprene

**T** Buna-N-XS

### Check Valve Material (Digits 8-9)

(Valve Spring / Valve & Seat)

**SS** 316 SST / 316 SST

**TT** Hastelloy®C / Hastelloy®C

**SC** 316 SST / Ceramic

**TC** Hastelloy®C / Ceramic

### Gearbox Ratio (Digits 10-12)

**100** 100:1 (63 B5 Motor Frame)

**080** 80:1 (63 B5 Motor Frame)

**060** 60:1 (63 B5 Motor Frame)

**050** 50:1 (63 B5 Motor Frame)

**040** 40:1 (63 B5 Motor Frame)

**030** 30:1 (63 B5 Motor Frame)

**025** 25:1 (63 B5 Motor Frame)

**020** 20:1 (63 B5 Motor Frame)

**015** 15:1 (63 B5 Motor Frame)

**010** 10:1 (63 B5 Motor Frame)

**007** 7.5:1 (63 B5 Motor Frame)

**A07** 7.5:1 (71 B5 Motor Frame)

**005** 5:1 (63 B5 Motor Frame)

**A05** 5:1 (71 B5 Motor Frame)

**B05** 5:1 (80 B5 Motor Frame)

### Base Plate (Digit 13)

**C** Carbon Steel (Epoxy painted)

**S** Stainless Steel

For information on the complete line of Hydra-Cell Metering Solutions pumps, contact us today.

**Wanner International Ltd.**

Units 8 & 9, Fleet Business Park  
Sandy Lane  
Church Crookham, Hampshire GU52 8BF, England  
Tel: +(44) 01252 816847  
FAX Tel: +(44) 01252 629242  
Email: sales@wannerint.com  
www.WannerInt.com

Printed in USA P200-DS-I-04.07

**Wanner Pumps Ltd.**

Room 1111, 11/F New Kowloon Plaza  
38 Tai Kak Tsui Road  
Tai Kak Tsui, Kowloon, HONG KONG  
Tel: (852) 3428 6534  
FAX Tel: (852) 3188 9145  
Email: jlou@wannereng.com

**Wanner Engineering, Inc.**

1204 Chestnut Avenue  
Minneapolis, MN 55403 USA  
Tel: 612-332-5681  
FAX Tel: 612-332-6937  
Toll-Free Fax (USA): 800-332-6812  
Email: sales@wannereng.com  
www.Hydra-Cell.com/metering