

## PI00 Pump Series

Capacities to 78.01 LPH - Rated to 103 Bar

### Electronic Precision Metering

- Designed to handle a wide range of fluids from clear water to thick slurries
- Electronic flow control increases accuracy and reliability
- Smaller footprint saves valuable space
- One pump covers a wide range of flows and pressures - reducing inventory requirements with fast, simple field conversion
- Duplexing option doubles capacity and equipment savings
- Hydraulically-actuated, balanced diaphragms provide superior performance across entire pressure range
- Rugged construction with a variety of affordable choices for liquid end, diaphragm and check valve materials



Hydra-Cell Metering Solutions meet or exceed API 675 performance standards for Steady-State Accuracy ( $\pm 1\%$ ), Linearity ( $\pm 3\%$ ), and Repeatability ( $\pm 3\%$ ).

### Performance\*

LPH Maximum Flow at Designated Pressure

LPH All Pumps		LPH Metallic Pump Heads Only			Pump RPM	Gear Ratio	Motor RPM
7 Bar	17 Bar	35 Bar	70 Bar	103 Bar			
1.99	1.68	1.44	0.76	**	14.5	100:1	
2.50	2.18	1.93	1.23	**	18.13	80:1	
3.39	3.01	2.74	2.01	**	24.17	60:1	
4.01	3.67	3.39	2.64	**	29	50:1	
5.02	4.67	4.36	3.58	**	36.25	40:1	
6.71	6.33	5.99	5.15	1.75	48.33	30:1	1450
8.05	7.65	7.29	6.40	2.98	58	25:1	
10.07	9.65	9.24	8.28	4.82	72.5	20:1	
13.44	12.97	12.48	11.42	7.89	96.67	15:1	
20.18	19.60	18.98	17.69	14.03	145	10:1	
26.91	26.24	25.47	23.96	20.16	193.33	7.5:1	
40.39	39.52	38.46	36.50	32.43	290	5:1	
51.99	50.96	49.65	47.31	43.01	373.3	7.5:1	2800
78.01	76.60	74.73	71.54	66.71	560	5:1	

\* Capacity data is shown for pumps with elastomeric diaphragms. Consult factory for performance characteristics of pumps with PTFE diaphragms.

\*\* Consult factory for performance specifications.

### Required Motor kW

0.18

0.37

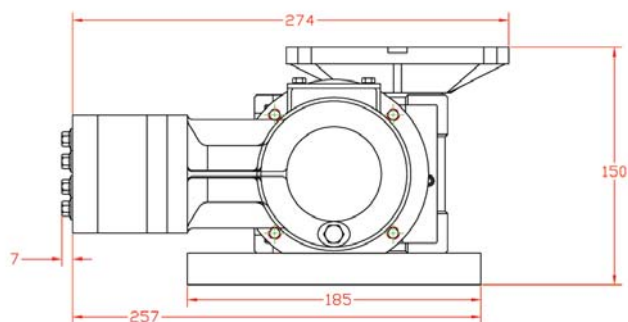
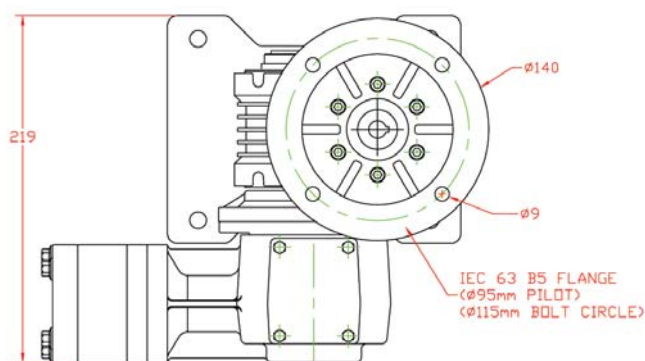
# PI00 Pump Series

## Pump Data

Diaphragms per Liquid End	1
Flow Control	Electronic variable speed drive
Maximum Discharge Pressure	
Metallic Head:	103 bar (1500 PSI)
Non-Metallic Head:	Polypropylene- 17 bar (250 PSI) Kynar- 24 bar (350 PSI)
Maximum Suction Pressure	17 bar (250 PSI)
Maximum Temperature	
Metallic Head:	121 °C (250 °F)*
Non-Metallic Head:	60 °C (140 °F)
Suction Port	1/2 inch BSPT or NPT
Discharge Port	3/8 inch BSPT or NPT
Weight (less motor)	
Metallic Head:	8.4 kg (18.5 lbs)
Non-Metallic Head:	7.4 kg (16.4 lbs)
Dimensions (less motor)	
Metallic Head:	230 mm W x 294 mm D x 150 mm H (9.07" W x 11.57" D x 5.9" H)
Non-Metallic Head:	230 mm W x 300 mm D x 150 mm H (9.07" W x 11.82" D x 5.9" H)

\*Consult factory for correct component selection for fluid temperatures above 71 °C (160 °F).

## Representative Dimensional Drawings (in mm)



Hydra-Cell Metering Solutions pump systems are available with back pressure and relief valves, calibration cylinders, pulsation dampeners, manifolds and flanges, suction accumulators, custom controllers, strainers, a variety of actuating oils, witnessed and non-witnessed testing, drawing packages, and OEM paint and nameplate customization.

For information on the complete line of Hydra-Cell Metering Solutions pumps, contact us today.

**Wanner International Ltd.**

Units 8 & 9, Fleet Business Park  
Sandy Lane  
Church Crookham, Hampshire GU52 8BF, England  
Tel: +(44) 01252 816847  
FAX Tel: +(44) 01252 629242  
Email: sales@wannerint.com  
www.WannerInt.com

**Wanner Pumps Ltd.**

Room 1111, 11/F New Kowloon Plaza  
38 Tai Kak Tsui Road  
Tai Kak Tsui, Kowloon, HONG KONG  
Tel: (852) 3428 6534  
FAX Tel: (852) 3188 9145  
Email: jlou@wannereng.com

**Wanner Engineering, Inc.**

1204 Chestnut Avenue  
Minneapolis, MN 55403 USA  
Tel: 612-332-5681  
FAX Tel: 612-332-6937  
Toll-Free Fax (USA): 800-332-6812  
Email: sales@wannereng.com  
www.Hydra-Cell.com/metering

## Pump Ordering Information

A complete pump order number contains 13 digits based on the specified pump materials listed below. Contact your Hydra-Cell sales representative for accompanying motor drive options.

1	2	3	4	5	6	7	8	9	10	11	12	13
P	I	0	0									

### Pump Model Size (Digits 1-4)

**P100** For all PI00 Pumps

### Pump Version (Digit 5)

**M** BSPT Ports  
**N** NPT Ports

### Pump Head Material (Digit 6)

**M** Kynar®  
**P** Polypropylene  
**S** 316 Stainless Steel  
**T** Hastelloy®C

### Diaphragm & O-ring Material (Digit 7)

**E** EPDM  
**G** Viton®-XT  
**J** PTFE  
**P** Neoprene  
**T** Buna-N-XS

### Check Valve Material (Digits 8-9)

#### (Valve Spring / Valve & Seat)

**SS** 316 SST / 316 SST  
**TT** Hastelloy®C / Hastelloy®C  
**SC** 316 SST / Ceramic  
**TC** Hastelloy®C / Ceramic

### Gearbox Ratio (Digits 10-12)

<b>100</b>	100:1	(63 B5 Motor Frame)
<b>080</b>	80:1	(63 B5 Motor Frame)
<b>060</b>	60:1	(63 B5 Motor Frame)
<b>050</b>	50:1	(63 B5 Motor Frame)
<b>040</b>	40:1	(63 B5 Motor Frame)
<b>030</b>	30:1	(63 B5 Motor Frame)
<b>025</b>	25:1	(63 B5 Motor Frame)
<b>020</b>	20:1	(63 B5 Motor Frame)
<b>015</b>	15:1	(63 B5 Motor Frame)
<b>010</b>	10:1	(63 B5 Motor Frame)
<b>007</b>	7.5:1	(63 B5 Motor Frame)
<b>A07</b>	7.5:1	(71 B5 Motor Frame)
<b>005</b>	5:1	(63 B5 Motor Frame)
<b>A05</b>	5:1	(71 B5 Motor Frame)

### Base Plate (Digit 13)

**A** Aluminum (Epoxy painted)